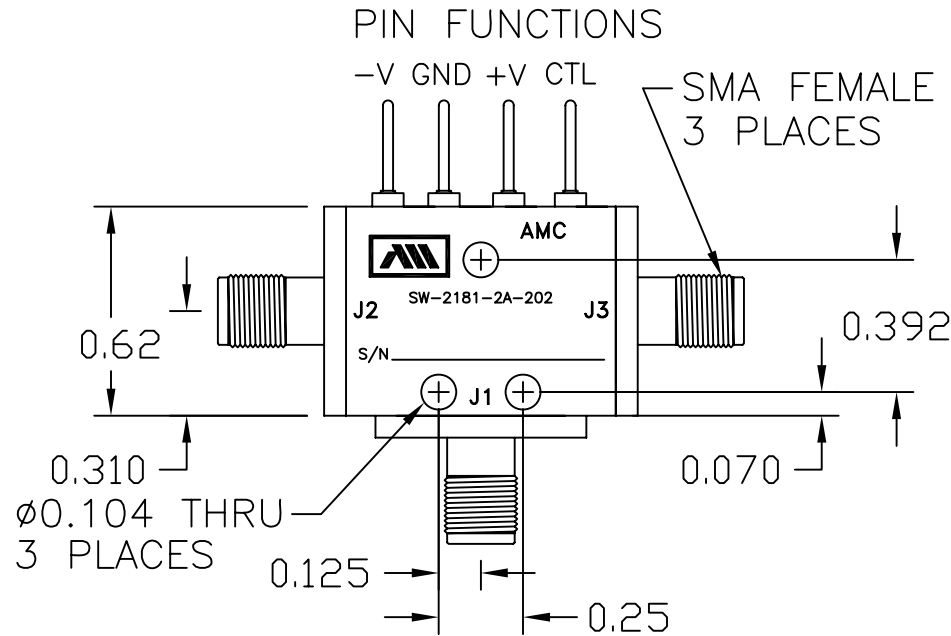


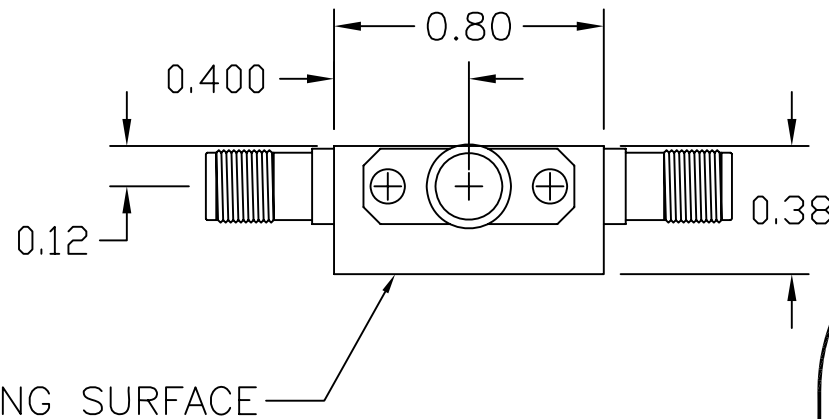
DESCRIPTION

AMC MODEL SW-2181-2A-202 IS A REFLECTIVE SPDT BAND-SELECT SWITCH WITH INTEGRAL TTL DRIVER, PACKAGED IN A MINIATURE POSTAGE STAMP SIZE HOUSING, DESIGNED FOR ULTRA BROAD-BAND APPLICATIONS SUCH AS WIDE-BAND SWEEP GENERATORS.

REVISIONS				
ZONE	REV.	DESCRIPTION	DATE	APPROVED
	A	ORIGINAL RELEASE JOB# 2816E	11/22/92	
	B	ECR# 07-142	11/09/07	



MECHANICAL OUTLINE



AMERICAN MICROWAVE CORPORATION

7311-G GROVE ROAD
 FREDERICK, MARYLAND 21704 USA
 TEL: 301-662-4700 FAX: 301-662-4938
 WEBSITE: www.americanmicrowavecorp.com
 E-MAIL: sales@americanmicrowavecorp.com
 ISO 9001:2000 CERTIFIED



ALL DIMENSIONS ARE IN INCHES
 TOLERANCES:
 X.XX ±0.020
 X.XXX ±0.010

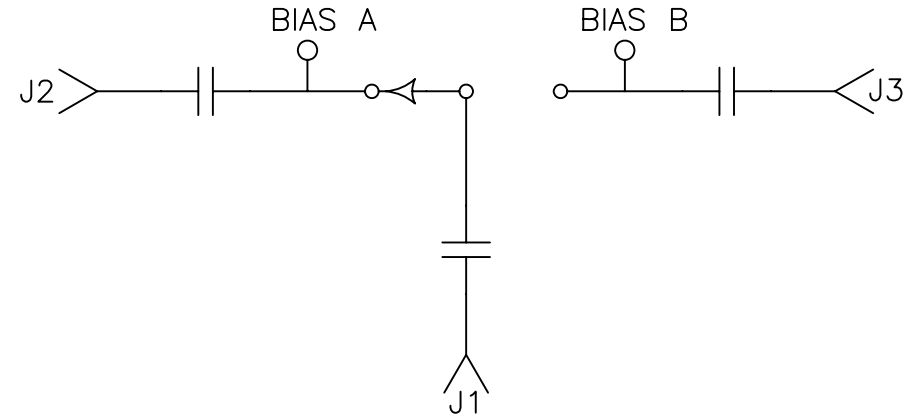
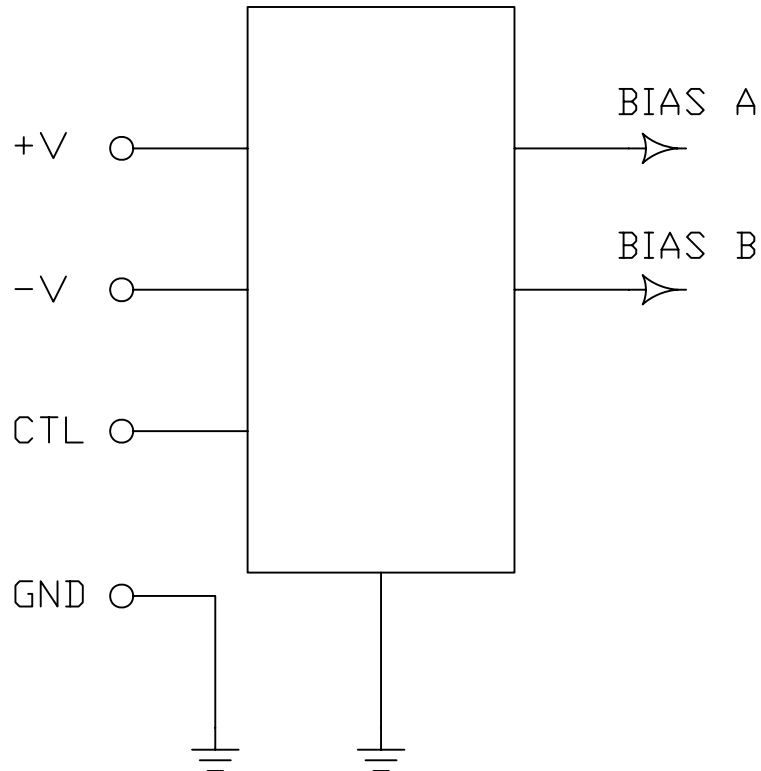
APPROVALS		DATE	TITLE		
DRAWN <i>WSP</i>		11/22/92	MECHANICAL OUTLINE SW-2181-2A-202		
CHECKED			0.01-3.0 GHz, REFLECTIVE SPDT SWITCH MODULE		
ISSUED			SIZE	FSCM NO.	DWG NO.
			A	60483	100-2867-000
			SCALE	N:S	SHEET 2 OF 4

DESCRIPTION

AMC MODEL SW-2181-2A-202 IS A REFLECTIVE SPDT BAND-SELECT SWITCH WITH INTEGRAL TTL DRIVER, PACKAGED IN A MINIATURE POSTAGE STAMP SIZE HOUSING, DESIGNED FOR ULTRA BROAD-BAND APPLICATIONS SUCH AS WIDE-BAND SWEEP GENERATORS.

REVISIONS				
ZONE	REV.	DESCRIPTION	DATE	APPROVED
	A	ORIGINAL RELEASE JOB# 2816E	11/22/92	
	B	ECR# 07-142	11/09/07	

FUNCTIONAL BLOCK DIAGRAM



AMERICAN MICROWAVE CORPORATION

7311-G GROVE ROAD
 FREDERICK, MARYLAND 21704 USA
 TEL: 301-662-4700 FAX: 301-662-4938
 WEBSITE: www.americanmicrowavecorp.com
 E-MAIL: sales@americanmicrowavecorp.com
 ISO 9001:2000 CERTIFIED



APPROVALS		DATE	TITLE		
			FUNCTIONAL BLOCK DIAGRAM SW-2181-2A-202		
DRAWN	<i>WSP</i>	11/22/92	0.01-3.0 GHz, REFLECTIVE SPDT SWITCH MODULE		
CHECKED			SIZE	FSCM NO.	DWG NO.
ISSUED			A	60483	100-2867-000
			SCALE	N:S	SHEET 3 OF 4